



# PRICING GUIDE



---

## MACHINES AND PARTS

---

Prices Effective February, 2021

# Table of CONTENTS

<b>UNILYFT MACHINES</b> .....	<b>3</b>	Westport Head.....	15
Model L Narrow Track.....	3	Promenade Head.....	16
Model Pm Wide Track.....	4	Pisa2 XI / Concord XI Gripper.....	17
Model P Skid Steer Attachment .....	4	<b>PARTS PRICING</b> .....	<b>18</b>
Model Mini P Mini Skid Steer Attachment .....	5	Extension Tubes.....	18
Dealer Work Station SvK Jib Crane .....	5	90° Angle Adapter.....	19
<b>SUCTION HEADS</b> .....	<b>6</b>	Vacuum Pre Filters.....	19
Single Head.....	6	Lifting Tube + Cotroller.....	20
Double Head .....	7	Lifting Tube Complete .....	20
Triple Head.....	8	Lifting Tube Tube Only.....	21
6/3 Head .....	9	Vacuum Hose 2" Grey .....	21
Random Head Beacon Hill Platform .....	10	Miscellaneous Parts .....	22
Thornbury Head .....	11		
Artline Head .....	12		
City Park/Hex Head .....	13		
Eco-Priora Head.....	14		

**Custom Suction Heads:**  
Ask your local Unilock Territory  
Manager for details.

## WARRANTY

UniLyft is manufactured by Pritec Vaculyft AB follow the CE regulations and are certified under ISO 9001, ISO 14001, EN 1090-1 and EN 3834-4.

The following warranty conditions are valid for machines and parts produced by Pritec Vaculyft AB Sweden for a period of 12 months from purchasing date:

- The warranty covers any defects in parts or workmanship under normal use during the warranty period.
- The warranty covers repair and replacement of the broken part on the unit.

The Warranty **does not** cover:

- The warranty does not cover wear and tear parts such as hoses, tubes, pads and belts.
- The warranty does not cover usage that contravenes the instructions provided in the Operator's Manual.

If warranty services require more work than can be done at your work site, it must be sent to a local small equipment workshop approved by Pritec and Unilock. No freight or travel costs will be charged to you.

Neither Pritec or Unilock will be held liable for lost time or related expenses due to down time.

# UniLyft MACHINES

- All prices on UniLyfts are in USD and are FOB any Unilock manufacturing location in USA or Canada.
- Delivery time: 7 to 10 business days for inventoried machines (Wappingers Falls, NY) or 4 to 6 weeks if shipped from Sweden. (Subject to availability).
- Unilock reserves the right to change pricing and/or specifications without notice.



## MODEL L NARROW TRACK

### PRODUCT SPECIFICATION

Part Number	841100P
Track Chassis	HINOWA HP1100 or HP1150
Engine	Honda GX390 Gasoline
Max Lift Capacity	140 kg (310 lbs)
Gross Weight	From 700 kg (1540 lbs)
Max Speed	3.5 kph (2.2 mph)
Dimensions	L = 2600 mm (102.4") W = 1000 mm (39.4") H (max) = 2640 mm (104") H (min) = 2100 mm (83") (Folded crane arm)

**\$37,900** USD



## MODEL PM

### WIDE TRACK

PRODUCT SPECIFICATION	
Part Number	841400P
Track Chassis	HINOWA TP2000
Engine	Honda 440 Gasoline
Max Lift Capacity	140 kg (310 lbs)
Max Load - Forklift	1600 kg (3527 lbs)
Gross Weight	1150 kg (2535 lbs)
Max Speed	2.2 kph (1.5 mph)
Dimensions	L = 2250 mm (88.6") W = 1840 mm (72.4") H (max) = 2640 mm (104") H (min) = 2130 mm (84") (Folded crane arm)

**\$47,900** USD

## MODEL P

### SKID STEER ATTACHMENT

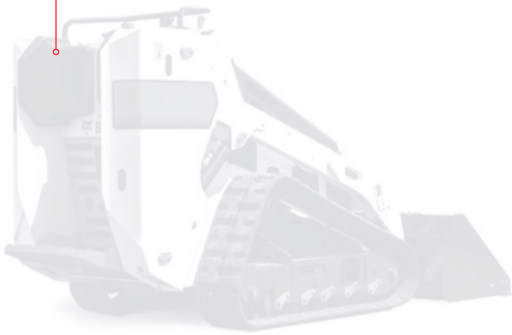
PRODUCT SPECIFICATION	
Part Number	841300UH
Track Chassis	Skid Steer Not Included Forks are included
Engine	PTO Powered
Max Lift Capacity	140 kg (310 lbs)
Gross Weight	380 kg (660 lbs) - 430 kg (948 lbs)
Dimensions	L = 3365 mm (133") W = 1210 mm (28") H (max) = 2640 mm (117") H (min) = 2100 mm (83") (Folded)

**\$27,900** USD

*Skid steer loader not included.*

**NEW MODEL DESIGN  
FOR SMALL SKID STEERS**

(Example Bobcat MT85,  
PTO required)



**MODEL MINI P**  
MINI SKID STEER  
ATTACHMENT

PRODUCT SPECIFICATION	
Part Number	842400H
Track Chassis	Small Skid Steer Required e.g. Bobcat MT85 (Not Included) (Forks NOT Included)
Engine	PTO Powered
Max Lift Capacity	140 kg (310 lbs)
Gross Weight	300 kg (660 lbs)
Dimensions	L = 2850 mm (113") L = 1600 mm (folded) W = 1100 mm H (max) = 2640 mm (117") H (min) = 2000 mm (78") (Folded)

**\$24,900** USD

Mini skid steer not included. Quick-attach mounting plate may require modification for your model.

**DEALER WORK  
STATION SVK**  
JIB CRANE

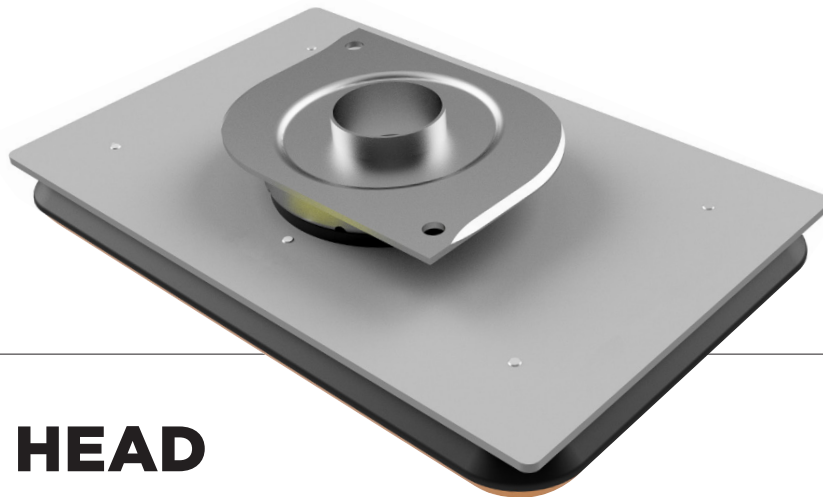
PRODUCT SPECIFICATION	
Part Number	665000-SVK (JIB CRANE)
Length crane arm	3000 mm (118") radius
Total length	3800 mm (150")
Width	1200 mm (47")
Height	3600 mm (142")
Weight including concrete block	1400 kg (3086 lbs)
Max lift capacity	140kg (310 lbs)
Power	Gas Engine

**\$14,900** USD

Custom solutions with electric options are available upon request.

# Suction HEADS

- All suction head prices are in USD and are FOB Wappingers Falls, NY (unless ordered with a UniLyft)
- 7 to 10 day delivery on heads depending on availability.
- Customized heads for Unilock products available. Contact your Territory Manager for details.
- Unilock reserves the right to change pricing and/or specifications without notice.

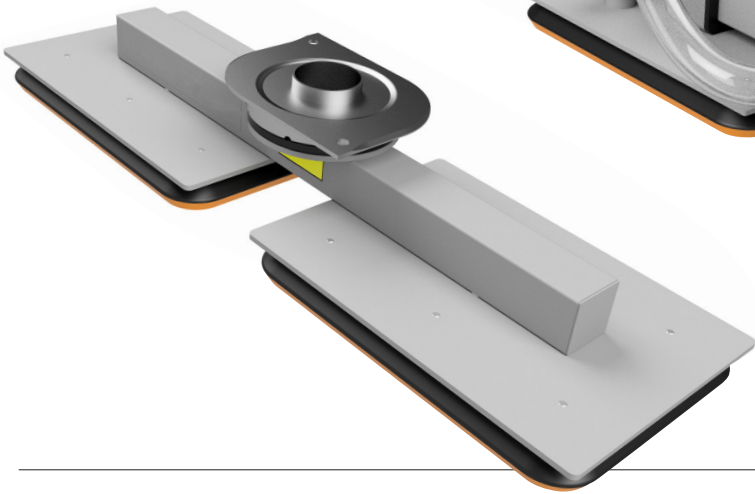


## SINGLE HEAD

PRODUCT SPECIFICATION		
PRODUCT NAME	PART NUMBER	PRICE USD
Complete Suction Head	841706	\$499
Black Gasket & Sponge Assembled	860039	\$109
Black Gasket (210mm x 330mm)	860039-01	\$69
Orange Sponge (210mm x 330mm)	860039-02	\$39

UNIT CAPABILITIES
12" x 24" 14" x 19" 18" x 24" 24" x 24" <i>(Any single unit up to 150lbs.)</i>

**STANDARD  
DOUBLE HEAD**  
841711



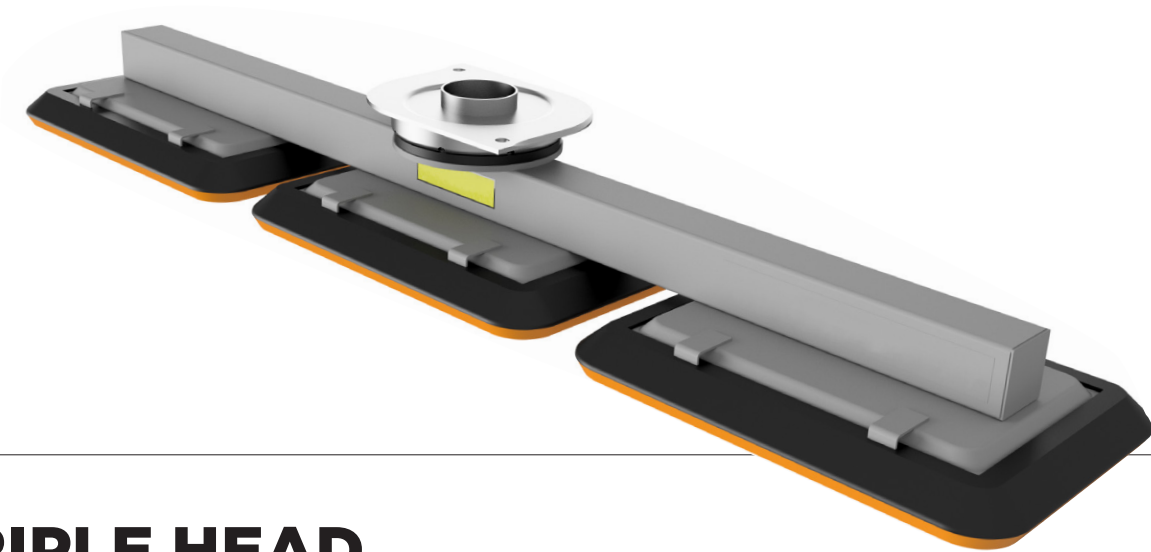
**ADJUSTABLE  
DOUBLE HEAD**  
841759



# DOUBLE HEAD

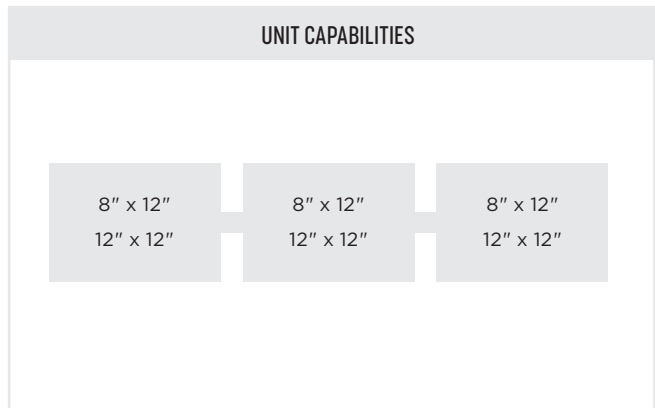
PRODUCT SPECIFICATION		
PRODUCT NAME	PART NUMBER	PRICE USD
Standard Double Head	841711	\$699
Adjustable Double Head	841759	\$799
Black Gasket & Sponge Assembled	860037	\$99
Black Gasket (200mm x 290mm)	860037-01	\$65
Orange Sponge (200mm x 290mm)	860037-02	\$29

UNIT CAPABILITIES											
CONFIG 1	<table border="1"> <tr> <td>8" x 16"</td> <td>8" x 16"</td> </tr> <tr> <td>16" x 16"</td> <td>16" x 16"</td> </tr> <tr> <td>8" x 24"</td> <td>8" x 24"</td> </tr> <tr> <td>12" x 21"</td> <td>12" x 21"</td> </tr> <tr> <td>12" x 24"</td> <td>12" x 24"</td> </tr> </table>	8" x 16"	8" x 16"	16" x 16"	16" x 16"	8" x 24"	8" x 24"	12" x 21"	12" x 21"	12" x 24"	12" x 24"
8" x 16"	8" x 16"										
16" x 16"	16" x 16"										
8" x 24"	8" x 24"										
12" x 21"	12" x 21"										
12" x 24"	12" x 24"										
CONFIG 2	<table border="1"> <tr> <td>24" x 24"</td> </tr> </table>	24" x 24"									
24" x 24"											
CONFIG 3	<table border="1"> <tr> <td>12" x 48"</td> </tr> <tr> <td>16" x 48"</td> </tr> <tr> <td>16" x 72"</td> </tr> <tr> <td>24" x 24"</td> </tr> <tr> <td>24" x 36"</td> </tr> </table>	12" x 48"	16" x 48"	16" x 72"	24" x 24"	24" x 36"					
12" x 48"											
16" x 48"											
16" x 72"											
24" x 24"											
24" x 36"											

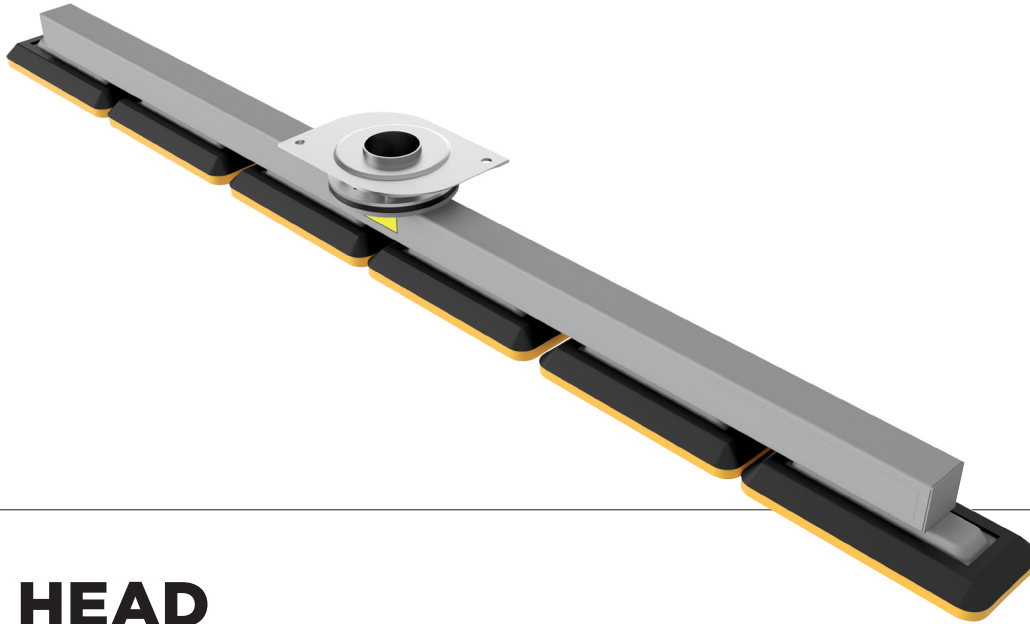


# TRIPLE HEAD

PRODUCT SPECIFICATION		
PRODUCT NAME	PART NUMBER	PRICE USD
Complete Suction Head	841750-072	\$749
Black Gasket & Sponge Assembled	860037	\$99
Black Gasket (200mm x 290mm)	860037-01	\$65
Orange Sponge (200mm x 290mm)	860037-02	\$29

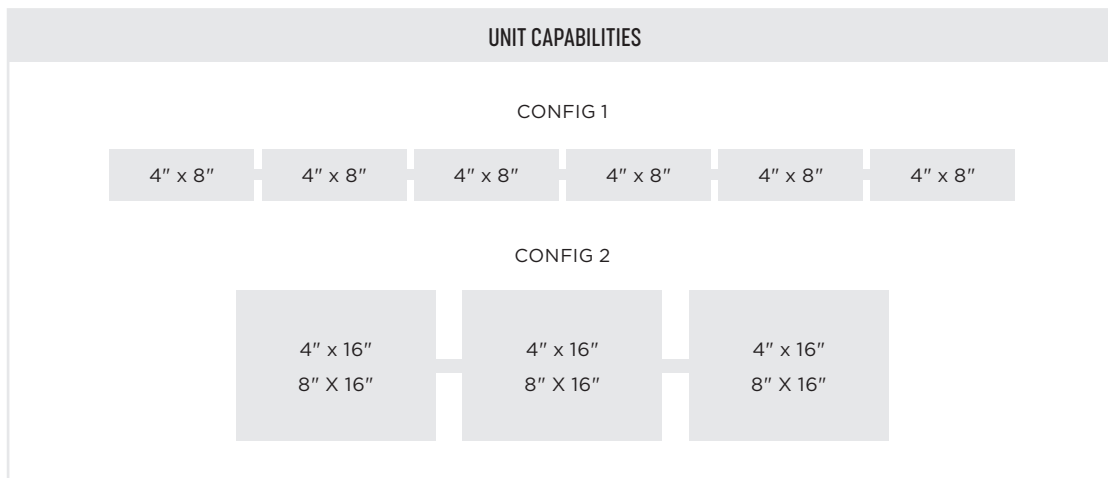


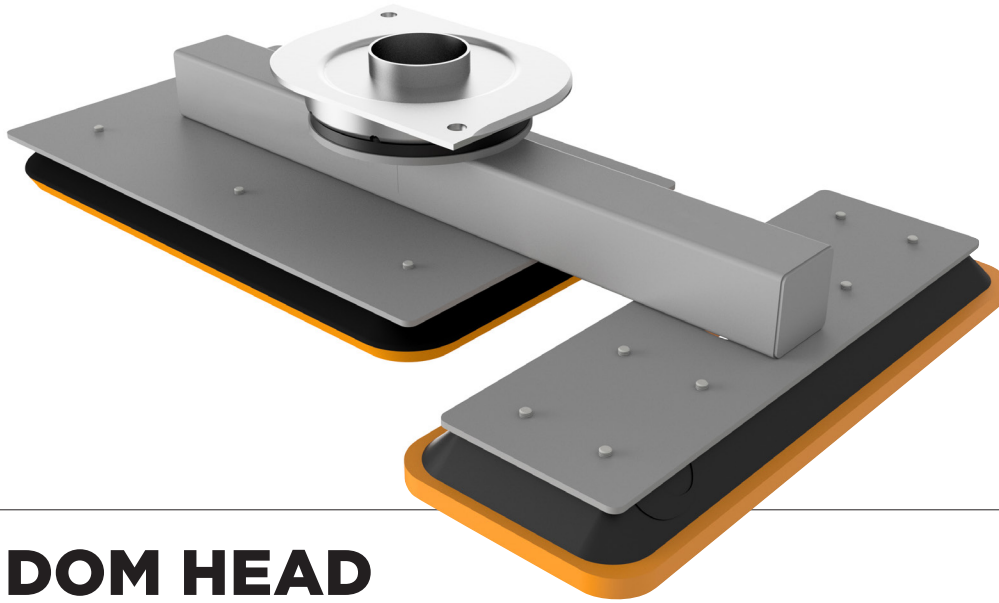




# 6/3 HEAD

PRODUCT SPECIFICATION		
PRODUCT NAME	PART NUMBER	PRICE USD
Complete Suction Head	841763	\$949
Black Gasket & Sponge Assembled	860038	\$94
Black Gasket (90mm x 200mm)	860038-01	\$59
Orange Sponge (80mm x 200mm)	860038-02	\$19





# RANDOM HEAD

## BEACON HILL PLATFORM

PRODUCT SPECIFICATION		
PRODUCT NAME	PART NUMBER	PRICE USD
Complete Suction Head	841750-071	\$899
Black Gasket & Sponge Assembled	860039	\$109
Black Gasket (210mm x 330mm)	860039-01	\$69
Orange Sponge (210mm x 330mm)	860039-02	\$39
Black Gasket & Sponge Assembled	860048	\$99
Black Gasket (120mm x 315mm)	860048-01	\$59
Orange Sponge (120mm x 315mm)	860048-02	\$29

**UNIT CAPABILITIES**

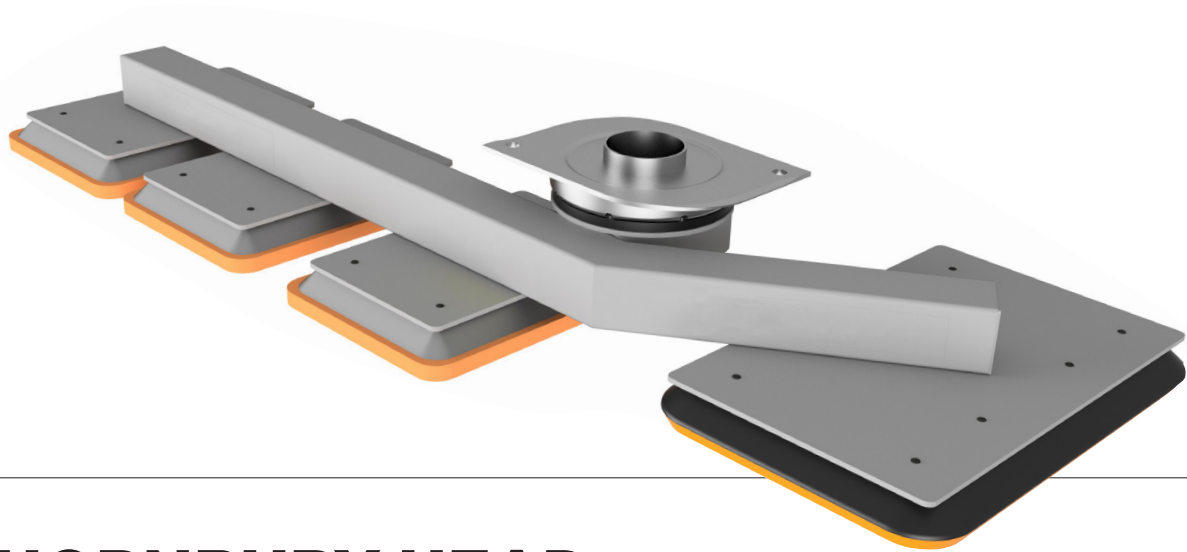
CONFIG 1

14" x 14"  
OR  
21" x 14"  
7" x 14"

CONFIG 2

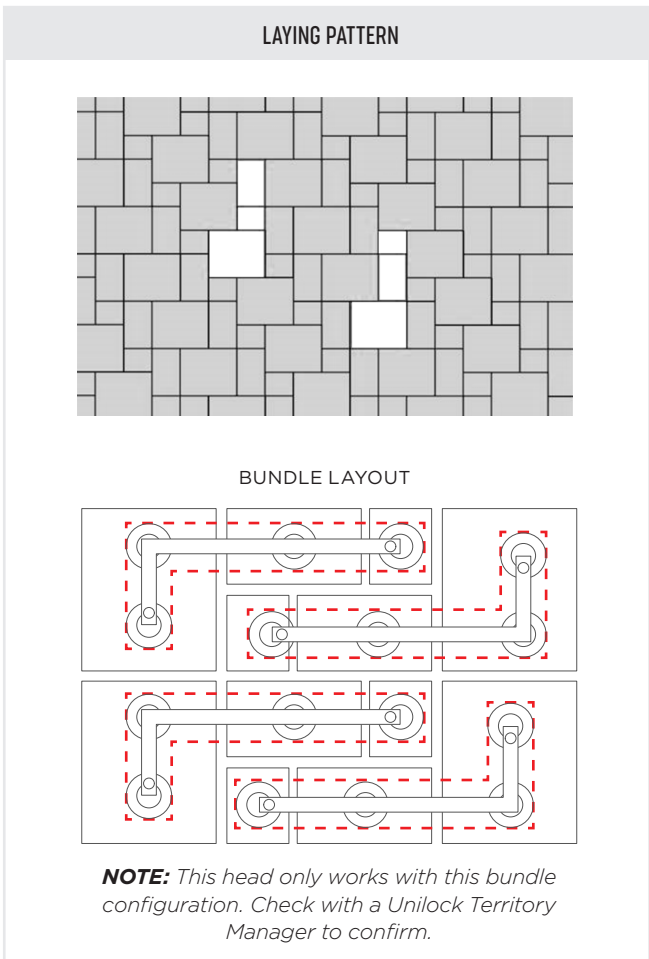
XL USA - 21" x 35"  
XL CAN - 21" x 28"

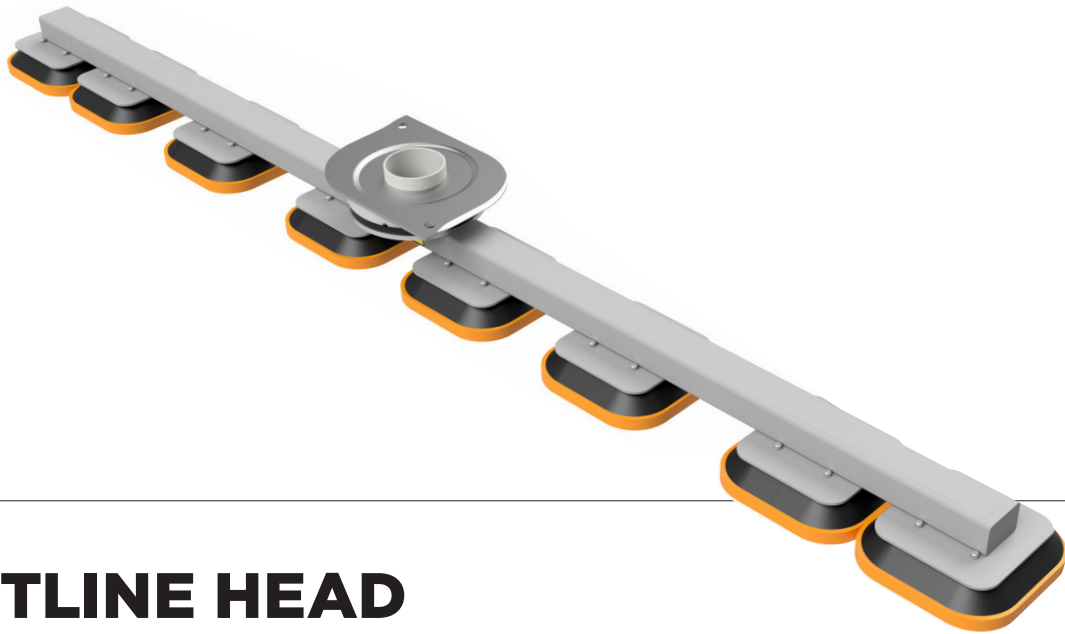
**NOTE:** This head will work with all of our products with a Random Bundle configuration. Products such as: Beacon Hill, Series 3000, Umbriano, Bristol Valley and Windermere.



# THORNBURY HEAD

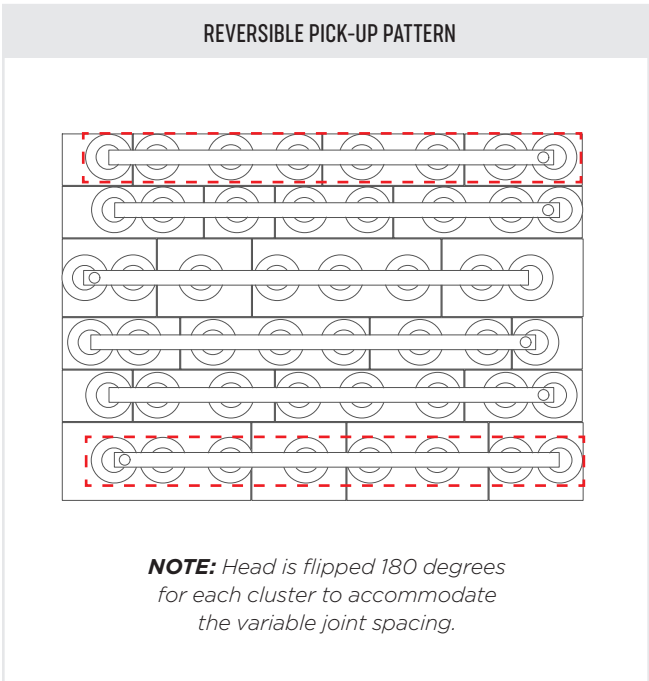
PRODUCT SPECIFICATION		
PRODUCT NAME	PART NUMBER	PRICE USD
Complete Suction Head	841750-075	\$899
Black Gasket & Sponge Assembled	860037	\$99
Black Gasket (200mm x 290mm)	860037-01	\$65
Orange Sponge (200mm x 290mm)	860037-02	\$29
Black Gasket & Sponge Assembled	860027	\$95
Black Gasket (150mm x 210mm)	860027-01	\$59
Orange Sponge (150mm x 210mm)	860027-02	\$19





# ARTLINE HEAD

PRODUCT SPECIFICATION		
PRODUCT NAME	PART NUMBER	PRICE USD
Complete Suction Head	841761	\$1,299
Black Gasket & Sponge Assembled	860070	\$22
Black Gasket (85mm x 85mm)	860070-01	\$12
Orange Sponge (85mm x 85mm)	860070-02	\$5.20

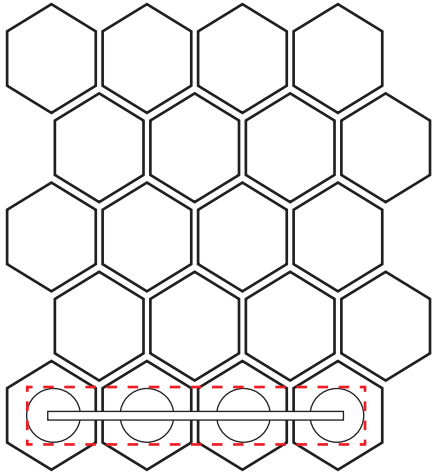




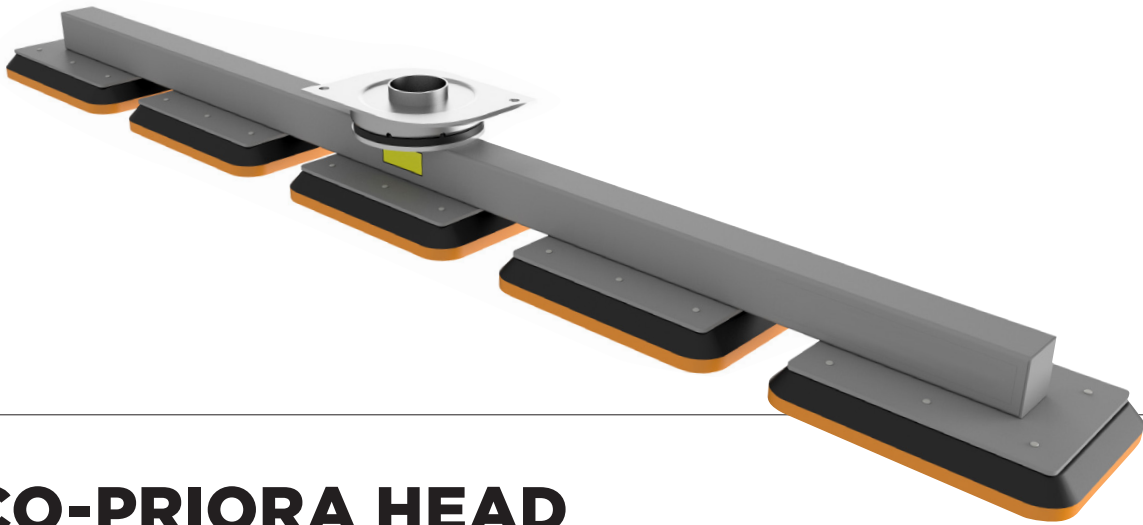
# CITY PARK/HEX HEAD

PRODUCT SPECIFICATION		
PRODUCT NAME	PART NUMBER	PRICE USD
Complete Suction Head	841750-074	\$949
Black Gasket & Sponge Assembled	860050	\$249
Black Gasket	860050-01	\$199
Orange Sponge	860050-02	\$29

**PICK-UP PATTERN**



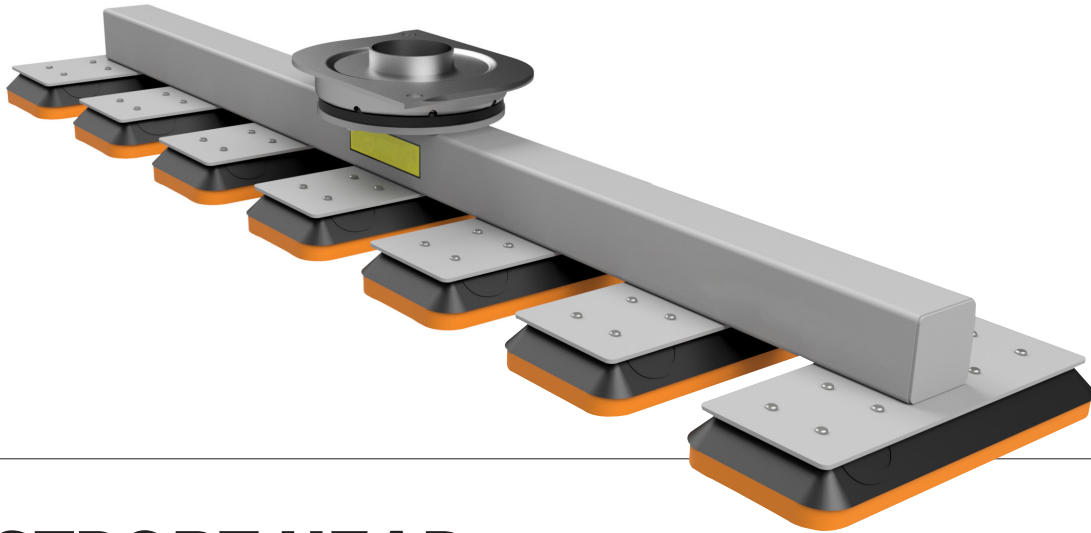
**NOTE:** Head picks up 4 in a row, which is ideal for 10 cm thick pavers. A custom double head can be ordered for 6 cm product. (picks up 8 stones at a time)



# ECO-PRIORA HEAD

PRODUCT SPECIFICATION		
PRODUCT NAME	PART NUMBER	PRICE USD
Complete Suction Head	841764	\$899
Black Gasket & Sponge Assembled	860027	\$95
Black Gasket	860027-01	\$59
Orange Sponge	860027-02	\$19

UNIT CAPABILITIES				
10" x 10"	10" x 10"	10" x 10"	10" x 10"	10" x 10"

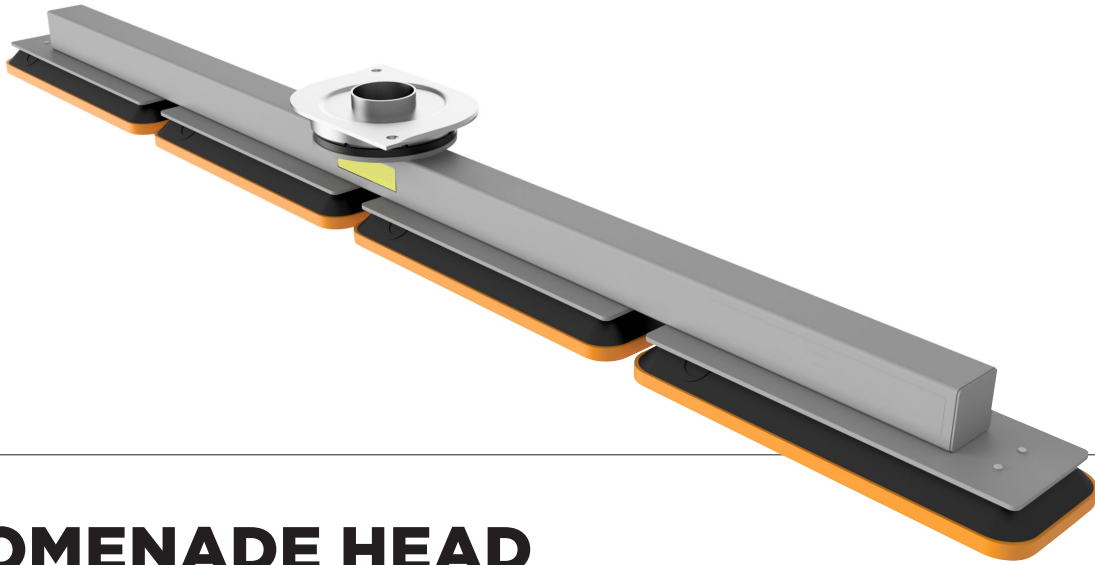


# WESTPORT HEAD

PRODUCT SPECIFICATION		
PRODUCT NAME	PART NUMBER	PRICE USD
Complete Suction Head	841750-081	\$899
Black Gasket & Sponge Assembled	860038	\$94
Black Gasket	860038-01	\$59
Orange Sponge	860038-02	\$19

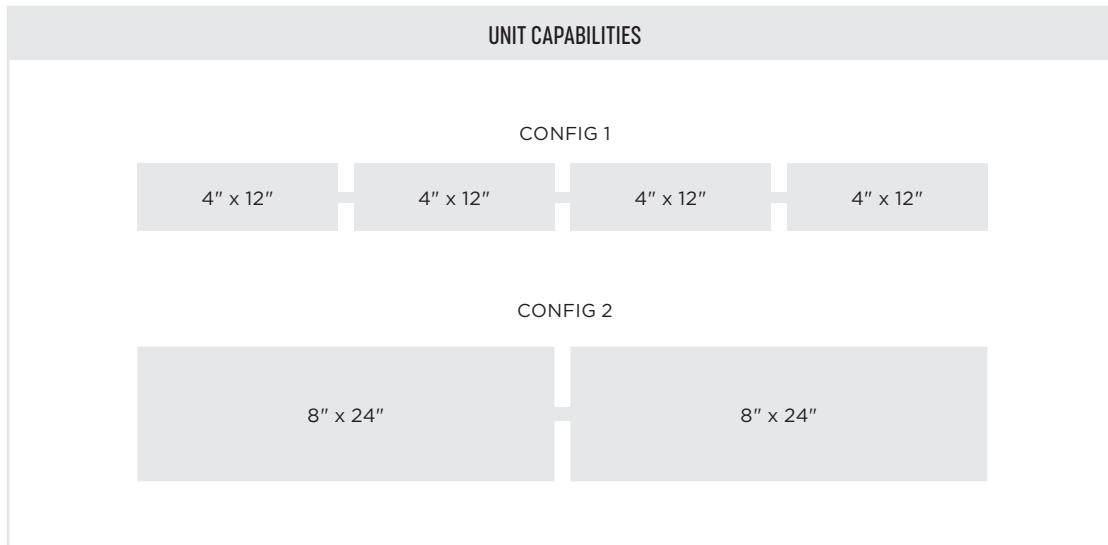
**UNIT CAPABILITIES**

**NOTE:** We recommend that the clusters are installed in a random running bond herringbone pattern or cluster.

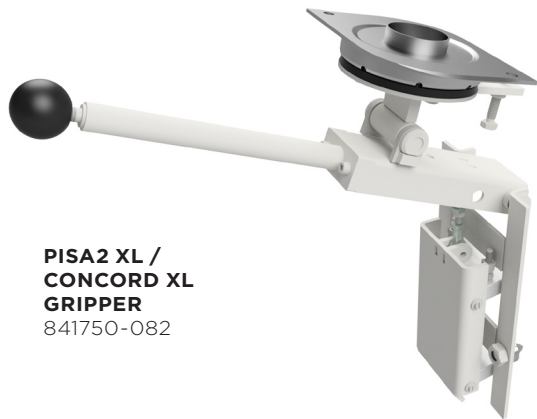


# PROMENADE HEAD

PRODUCT SPECIFICATION		
PRODUCT NAME	PART NUMBER	PRICE USD
Suction Head	841750-079	\$1,199
Black Gasket & Sponge Assembled	860086	\$119
Black Gasket	860086-01	\$89
Orange Sponge	860086-02	\$29







**PISA2 XL /  
CONCORD XL  
GRIPPER**  
841750-082



**PISA2 XL /  
CONCORD  
XL DOUBLE  
GRIPPER**  
841750-086

## PISA2 XL / CONCORD XL GRIPPER

PRODUCT SPECIFICATION		
PRODUCT NAME	PART NUMBER	PRICE USD
PISA2 XL / CONCORD XL GRIPPER	841750-082	\$ 999
PISA2 XL / CONCORD XL DOUBLE GRIPPER	841750-086	\$1,399

**NOTE:** Please contact us for pricing information.

# Parts

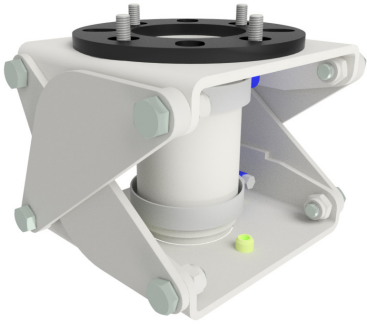
# PRICING

- All prices on parts are in USD and are FOB Wappingers Falls, NY (unless ordered with a UniLyft)
- Delivery: Approximately 1 week. Call to confirm.
- Unilock reserves the right to change pricing and/or specifications without notice.



## EXTENSION TUBES

PART NUMBER	DESCRIPTION	PRICE USD
841429-200	Extension with quick disconnect (200 mm)	\$189
841429-460	Extension with quick disconnect (460 mm)	\$229



## 90° ANGLE ADAPTER

PART NUMBER	DESCRIPTION	PRICE USD
641009	90° Angle Adapter (for vertically stacked slabs)	\$399



## VACUUM PRE FILTERS

PART NUMBER	DESCRIPTION	PRICE USD
841619	Filter Vaculyft PM, SM1500, P	\$59
841833	Filter Vaculyft L, E	\$49
AG17210ZE3505	Air Filter Honda GX390	\$49
HI04130500	Hydraulic Filter	\$89



## LIFTING TUBE

COMPLETE ASSEMBLY WITH RAISE & LOWER CONTROLLER

PART NUMBER	DESCRIPTION	PRICE USD
640714	Prilift 140 Tubelifter	\$1,699
640716	Prilift 160 Tubelifter	\$1,799
640718	Prilift 180 Tubelifter	\$1,849
640720	Prilift 200 Tubelifter	\$1,949
640723	Prilift 230 Tubelifter	\$2,149
640725	Prilift 250 Tubelifter	\$2,199
640730	Prilift 300 Tubelifter	\$2,599
841447	Hangining point Vaculyft	\$149

## LIFTING TUBE

COMPLETE ASSEMBLY (WITHOUT CONTROLLER)

PART NUMBER	DESCRIPTION	PRICE USD
640465	Lifting tube unit Ø140 std	\$1,249
640475	Lifting tube unit Ø160 std	\$1,799
640485	Lifting tube unit Ø180 std	\$1,399
640495	Lifting tube unit Ø200 std	\$1,499
640498	Lifting tube unit Ø230 std	\$1,549
640505	Lifting tube unit Ø250 std	\$1,699

## LIFTING TUBE TUBE ONLY

PART NUMBER	DESCRIPTION	PRICE USD
640460	Lifting tube Ø140 std	\$349
640470	Lifting tube Ø160 std	\$439
640480	Lifting tube Ø180 std	\$549
640490	Lifting tube Ø200 std	\$749
640497	Lifting tube Ø230 std	\$779
640500	Lifting tube Ø250 std	\$799

## VACUUM HOSE 2" GREY

PART NUMBER	DESCRIPTION	PRICE USD
841063	Vacuum hose 2" gray (price per meter)	\$29
841063-1150	Vaccum hose 2" for Vaculyft L & E In	\$39
841063-1350	Vaccum hose 2" for Vaculyft PM In	\$45
841063-1700	Vaccum hose 2" for Vaculyft PM, L & E Out	\$49
841063-1900	Vaccum hose 2" for Vaculyft P In & Out	\$59

## MISCELLANEOUS PARTS

PART NUMBER	DESCRIPTION	PRICE USD
640000	Suction raise and lower Controller Unit	\$1,399
641001	Quick disconnection, Lower	\$139
841318	Quick disconnection upper w.s	\$169
641007	Seal Quick disconnection	\$15
641008	O-ring quick connection	\$4
841429-200	Extension with quick disconnect 200	\$189
841429-460	Extension with quick disconnect 460	\$229
640050	Adjustment without load, kit	\$39
841191	Adhesive anti-skid	\$89
841180-02	Poly-V Belt PJ 457-8	\$29
841480-05	Poly-V Belt PJ483 -8 Ribs	\$29
XB4BS8444	Emergency Stop	\$89
841316	Lower part of plumb bob	\$19
841317	Upper Part of Plumb	\$59
841477	Manual Rack	\$59
841185	Plastic cover steering console	\$39
841131	Plastic side cover Vaculyft L	\$249
841116-50	Spring for operator platform	\$59
H11670390002	Throttle potentiometer	\$79
841336	Transport hook for vacuum lifter	\$39
841447	Hangining point Vaculyft	\$129
840503	Hose clamp 44-56mm	\$5
841421-02	Winch belt	\$49
700PS618	Textile tape black	\$29
DJW12-33	Batteri 12V 33AH	\$109
841473-01	Hydraulic motor 8cc	\$359
841756-001	Vacuumeter test unit	\$39

# CUSTOM HEADS READILY AVAILABLE **FOR LIFTING ALMOST ANYTHING!**

- ✓ Small or Large
- ✓ Exposed Aggregate
- ✓ Smooth or Rough
- ✓ Patterned
- ✓ Textured Designs
- ✓ Natural Stone



## **CONTACT US** FOR MORE INFORMATION

Exclusive UniLyft Distributor



UNILOCK.COM | 1-800-UNILOCK